



VALVES

TRUEWAFER BUTTERFLY-
DUCTILE IRON - 200 WOG/CWP

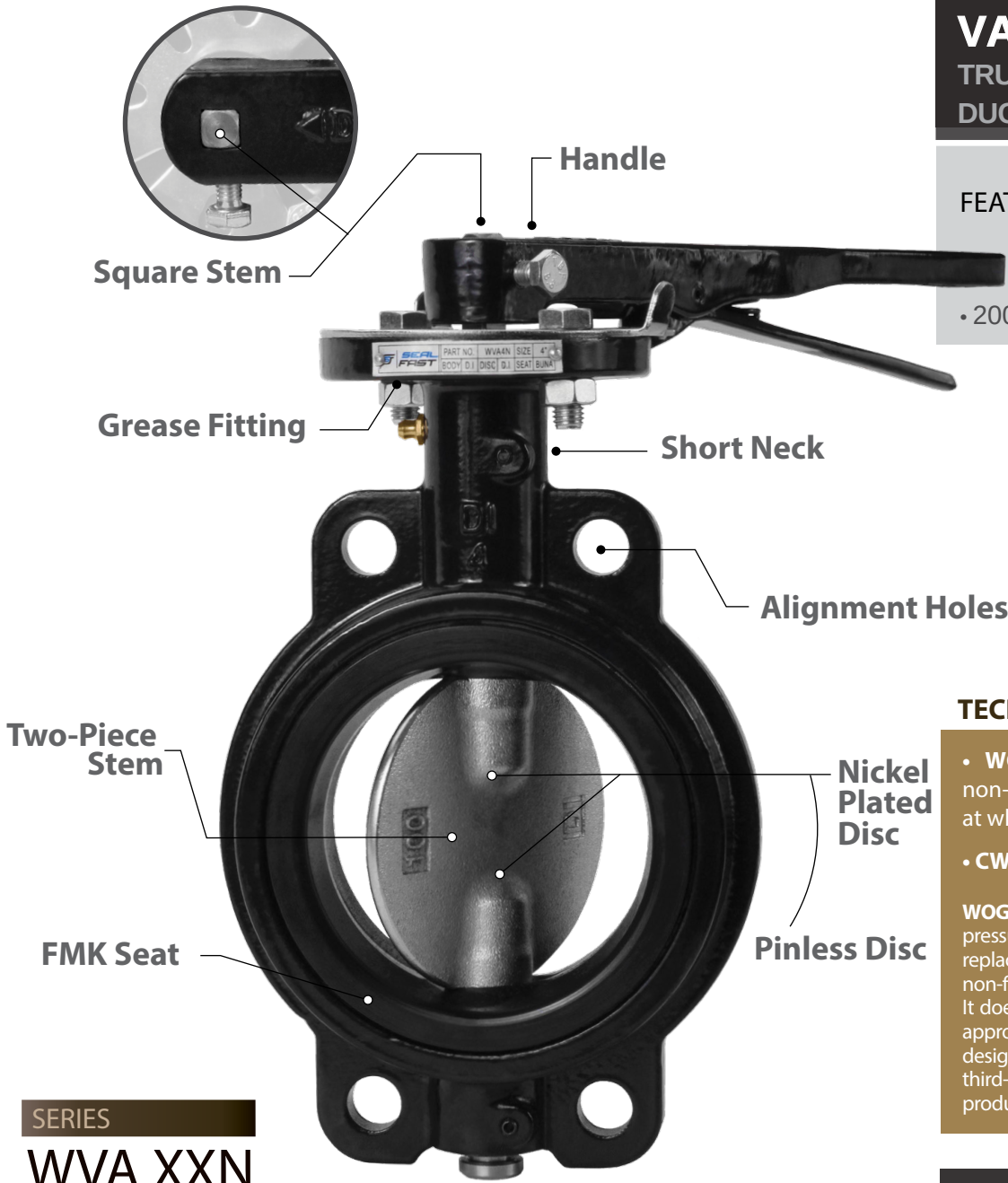
FEATURES & APPLICATIONS:

- 200 WOG/CWP

TECHNICAL DATA:

- **WOG** = Rating indicates the maximum non-shock pressure at ambient temperatures at which the valve may be used.
- **CWP** = Cold working pressure

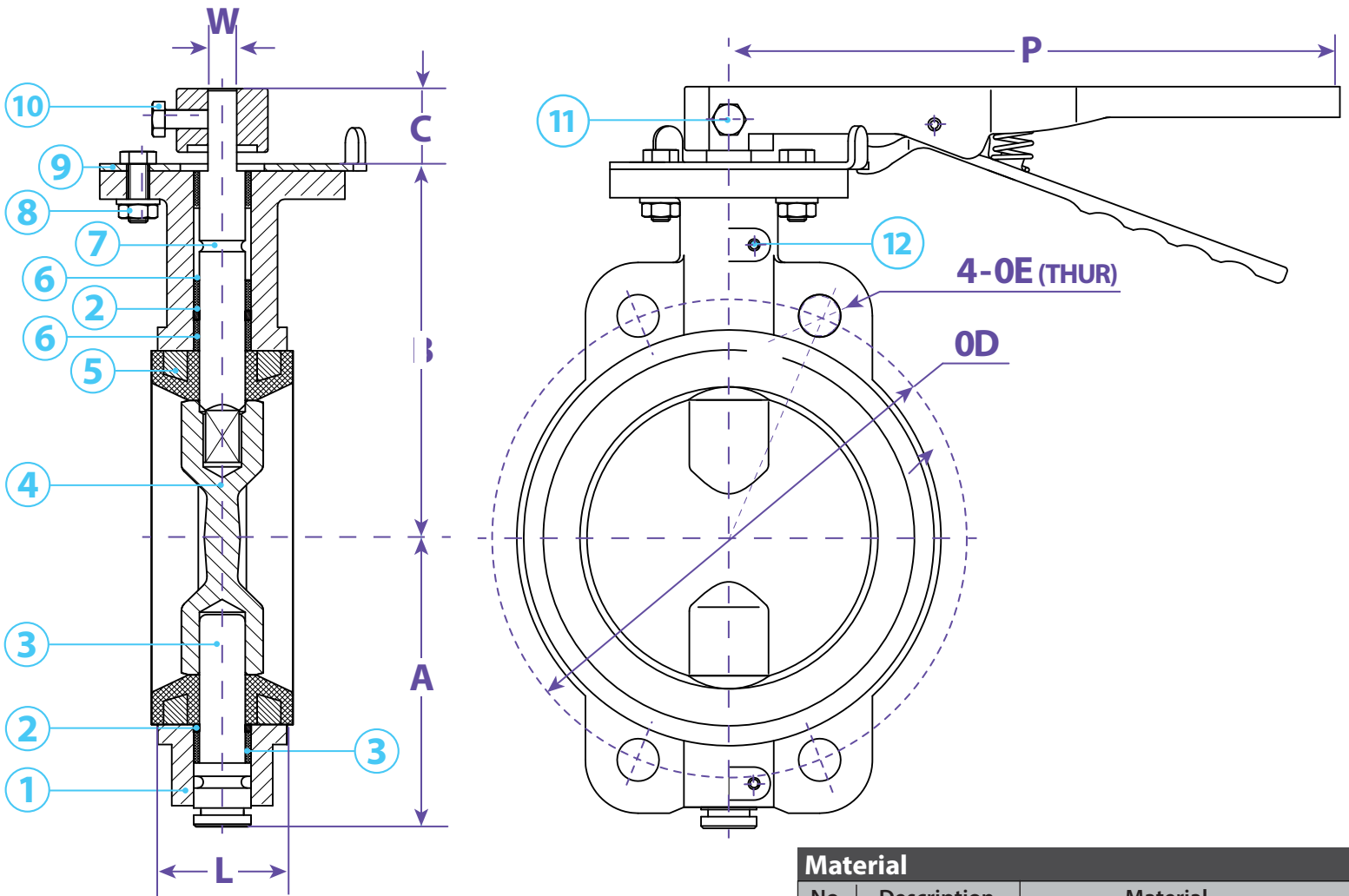
WOG: Water, Oil & Gas: This was an older, generic pressure rating call-out which has been largely replaced by CWP. In this designation, "GAS" refers to any non-flammable, compressible fluid in a gaseous state. It does not imply a product's suitability or third-party approval for use with flammable gases. Similarly, in this designation, "Oil" does not imply a product's third-party approval for use with any petroleum products.



SERIES

WVA XXN

DUCTILE IRON	
Size	Part #
2"	WVA 2N
3"	WVA 3N
4"	WVA 4N
6"	WVA 6N
8"	WVA 8N
10"	WVA 10N
12"	WVA 12N



Dimensions

Size	A	B	C	F	L	P	Part #
2"	2.99	3.94	1.10	1.77	1.65	10.24	WVA 2N
3"	3.66	4.92	1.10	1.77	1.65	10.24	WVA 3N
4"	4.29	6.02	1.10	.89	2.05	10.24	WVA 4N
6"	5.35	6.69	1.10	.89	2.20	10.24	WVA 6N
8"	6.54	9.45	1.50	.59	2.36	14.17	WVA 8N
10"	7.83	11.22	1.50	.59	2.60	14.17	WVA 10N
12"	9.37	11.81	1.50	.59	3.03	14.17	WVA 12N

Material

No.	Description	Material
1	Body	Ductile Iron & Epoxy Coating (black)
2	O-Ring	BUNA
3	Lower Stem	SS410
4	Disc	Nickle Plated Disc
5	Seat	FMK
6	Bushing	PTFE
7	Upper Stem	SS410
8	Body & Nut	Carbon Steel
9	Locking Plate	Carbon Steel
10	Locking Bolt	Carbon Steel
11	Lever	Malleable Cast Iron
12	Spring Pin	Carbon Steel

SERIES

WVA XXN

TITLE TRUEWAFER BUTTERFLY VALVE	
<p>DISCLAIMER All drawings and specifications are subject to change without notice. Drawings represent general dimensions of our products. Seal Fast Inc. cannot guarantee the dimensions will exactly match those in the drawing. The drawing is the property of Seal Fast Inc. Copying or reproduction of this drawing is expressly prohibited.</p>	<p>MATERIAL DUCTILE IRON</p>
<p>DRAWING NOT TO SCALE</p>	<p>PART # WVA..N</p>